

# Filter Housing AG Superplus

The aluminium superplus filter housings with Economizer and electronically controlled drain are designed for the purification of compressed air and gases. Due to the modular design of the housings different filter elements can be used.

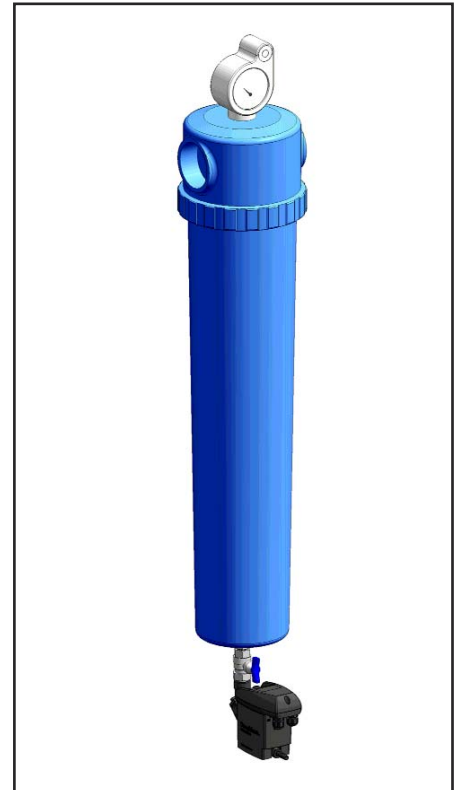
## Product Description:

AG superplus housings are designed for the purification of compressed air and gases in an industrial operation. The housings are made out of three parts and due to an optimized construction offer low differential pressures at high flow rates and as a standard equipped with an Economizer and an electronically controlled drain.

A multitude of various housings allow to match the requirements of the application, e.g. the compressor size.

This product series offers 3 different housings ranging from a volume flow of 1440 m<sup>3</sup>/h to 2880 m<sup>3</sup>/h (related to 7 bar (ü) and 20°C).

The AG superplus housings conform to the requirements of the European directive 97/23/EG for pressure vessels.



## Technical Data

Features:	Benefits:
Housing made out three parts	Installation and maintenance
Acoustic alarm signal	Maximum safety
Optimized housing construction for best flow velocity	Savings in purification costs of compressed air and gases
Economizer with integrated microprocessor	Determines the cost optimum point of time to exchange the filter element

Materials:	
Filter housing	Aluminium mold cast
Screw locking ring with acoustic warning signal	Aluminium
Economizer, differential pressure gauge	Plastic
Electronically controlled drain	Aluminium and fiber-glass reinforced plastic
Sealing	Parting compound free O-ring made of Perbunan

Maximum operating pressure:
16 bar

Surface finish:
Polyester resin coating

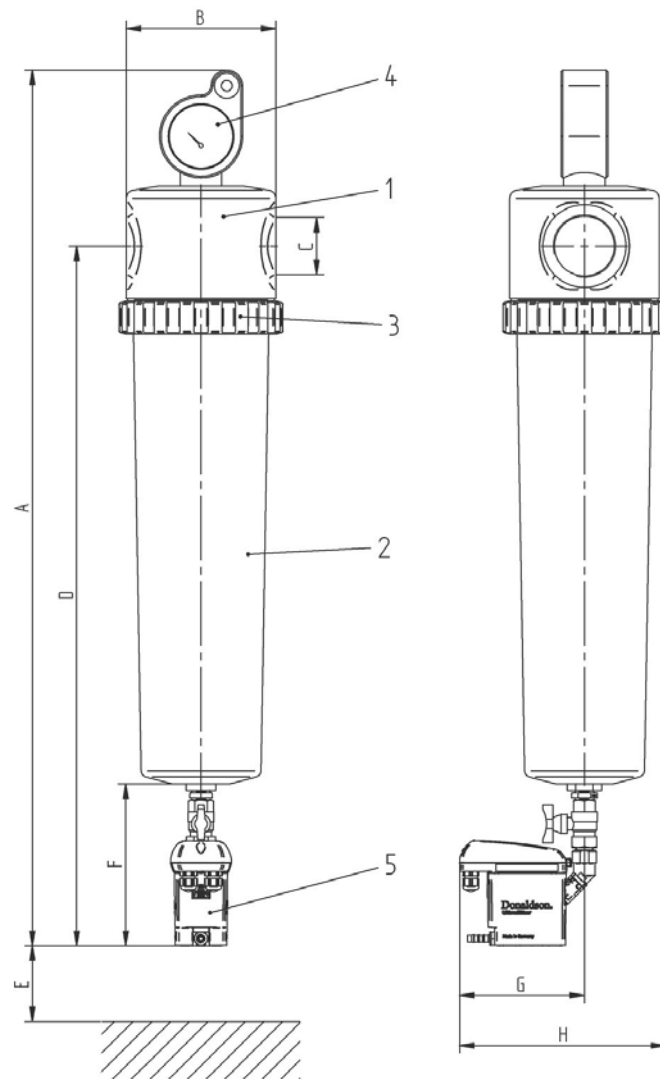
Maximum operating temperature:
+ 1°C / +65°C

Connection:
2 1/2" to 3" BSP

## Industrial filter AG 0144 - 0288 SP

Pos.	Piece	Description
5	1	Drain UFM-D05
4	1	Economizer N80
3	1	Screw locking ring
2	1	Lower housing bowl
1	1	Upper housing bowl

Maximum operating pressure:	16 bar
Test pressure:	22.88 bar
Maximum operating temperature:	+1°C / +65°C
Design-temperature:	120°C
Material:	EN AC-AISI 7 Mg 0.3
Paint coat:	polyester resin coating



Classification acc. to 97 / 23 / EG for fluids group 2	
AG 0144 - 0192	Cat. I
AG 0288	Cat. II

Housing size	Volume (l)	Weight* (kg)	A mm	ø B mm	C	D mm	E mm	F mm	G mm	H mm	Element size
0144	7,5	13,0	1055	180	G 2½	845	580	195	150	250	20/30
0192	9,7	14,1	1305	180	G 3	1095	850	195	150	250	30/30
0288	18,0	20,4	1325	210	G 3	1110	850	195	150	265	30/50

\* without filter element